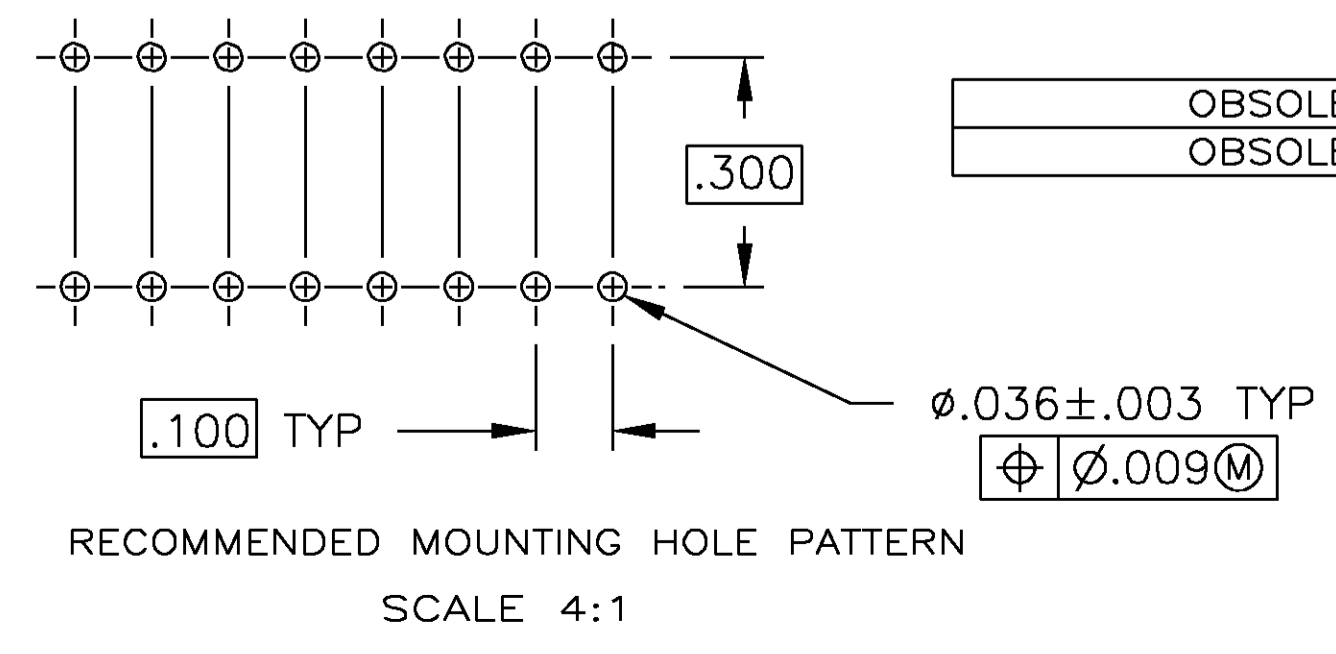
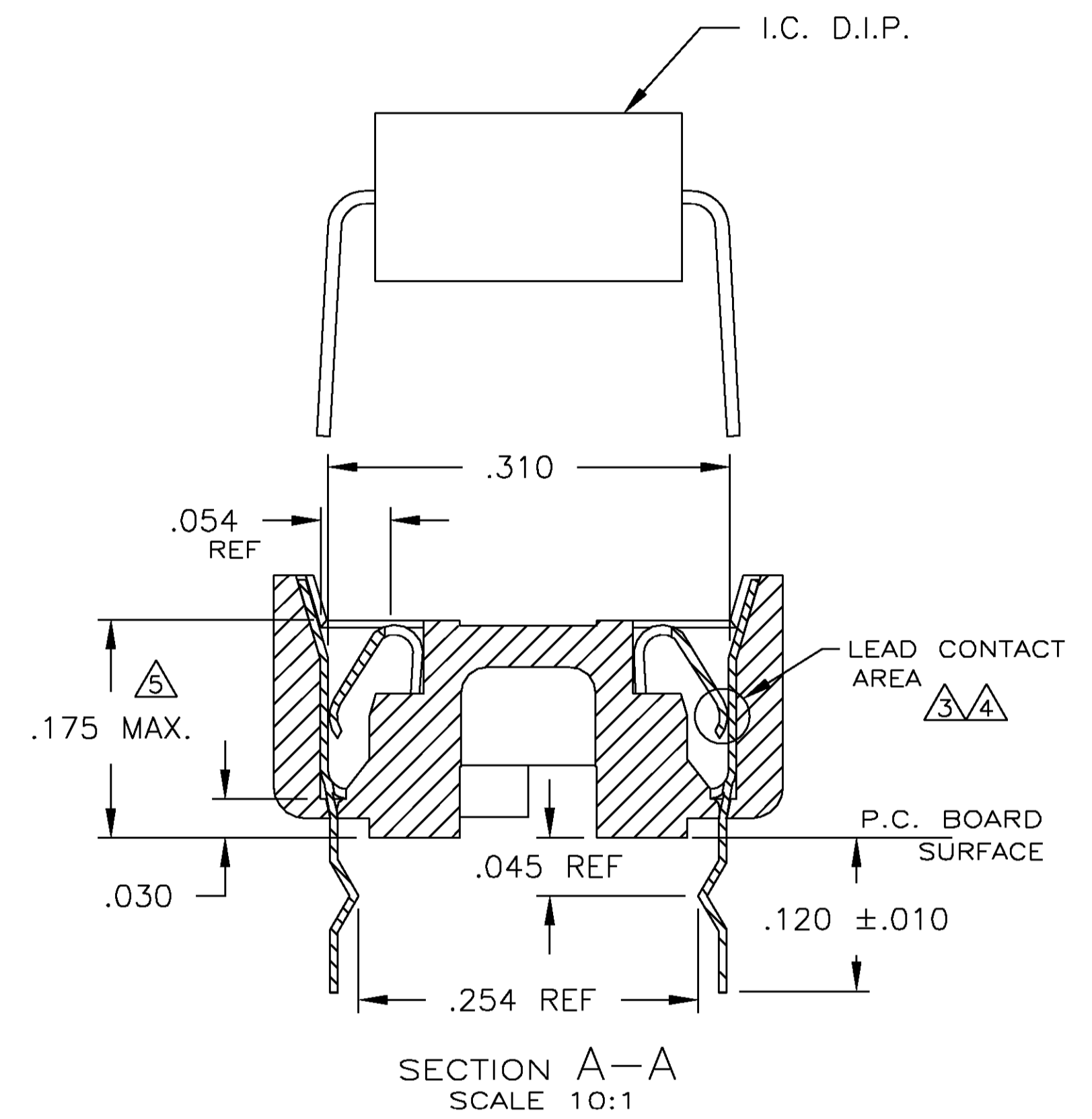
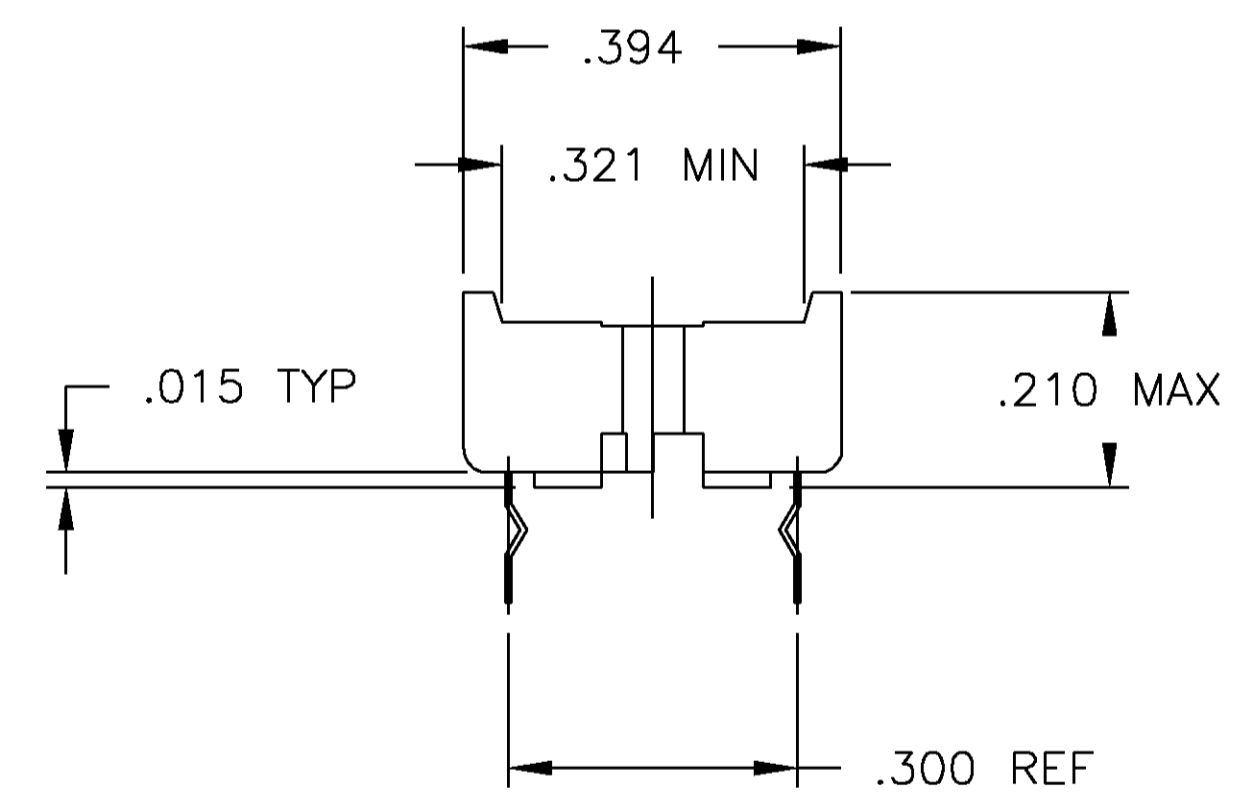
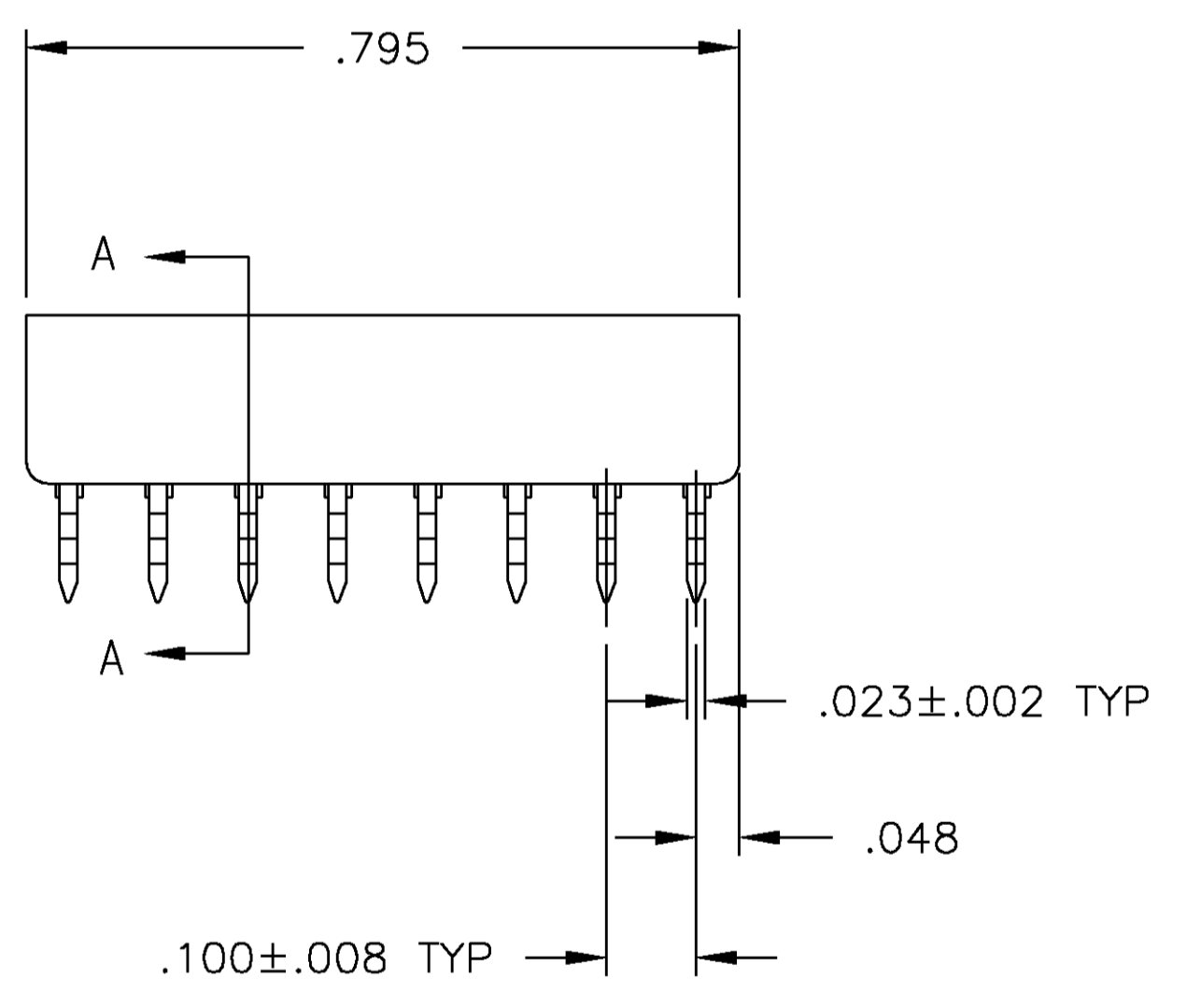
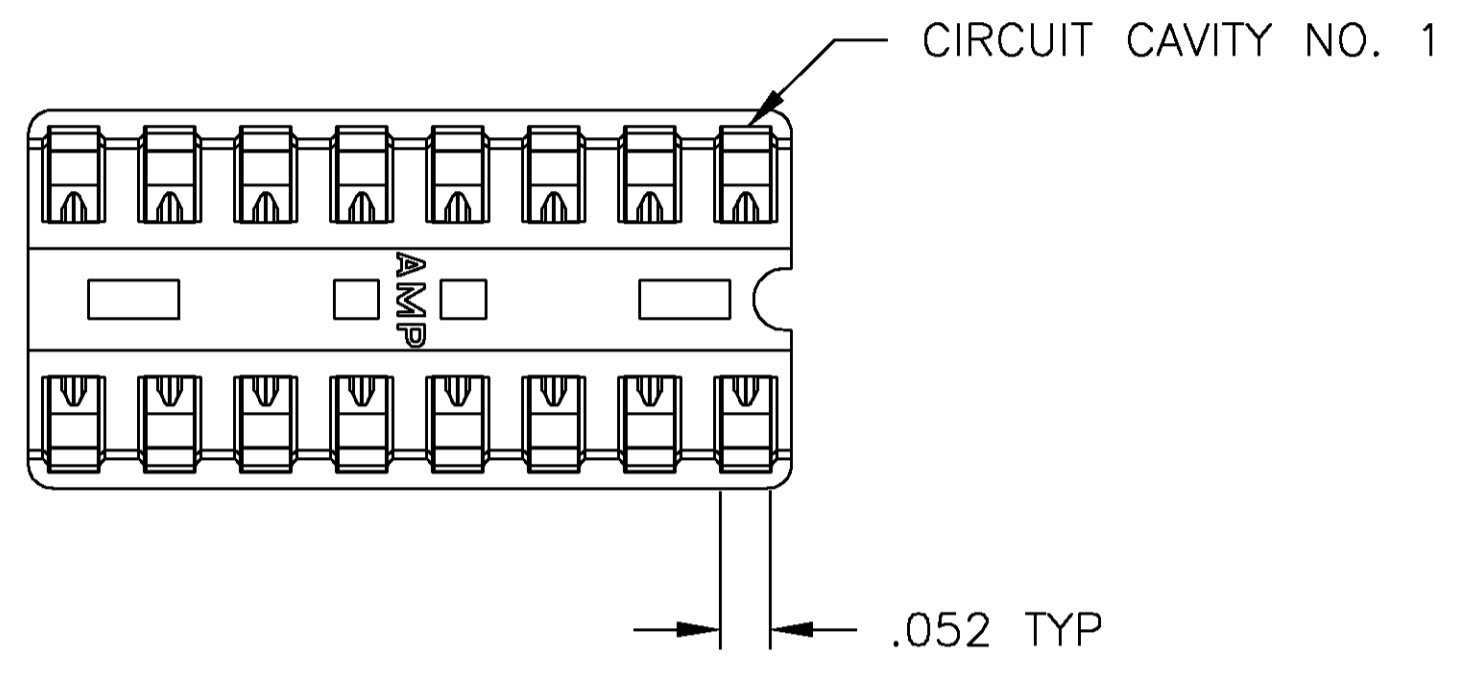


1. RECEPTACLE ACCEPTS A .008-.014 THICK I.C. LEAD.
2. TUBE LOADED.
3. TWO .000030 MIN THK. GOLD STRIPES IN CONTACT AREA WITH TIN-LEAD (93/7) ON CONTACT LEGS, BALANCE OF CONTACT NICKEL PLATED.
4. TWO .000015 MIN THK. GOLD STRIPES IN CONTACT AREA WITH TIN-LEAD (93/7) ON CONTACT LEGS, BALANCE OF CONTACT NICKEL PLATED.
5. MAXIMUM DIMENSION FOR I.C. SEATING PLANE.



OBSOLETE	TINNED	PHOS.BRZ. .006 THK	GLASS-FILLED THERMOPLASTIC, 94V-O, BLACK	2-641262-4
OBSOLETE	TINNED	BE.CU. .006 THK	GLASS-FILLED THERMOPLASTIC, 94V-O, BLACK	2-641262-3
	TINNED	BE.CU. .006 THK	GLASS-FILLED THERMOPLASTIC, 94V-O, BLACK	2-641262-2
	TINNED	BE.CU. .006 THK	GLASS-FILLED THERMOPLASTIC, 94V-O, BLACK	2-641262-1
	CONTACT FINISH	CONTACT MAT'L	HOUSING MATERIAL	PART NO.

THIS DRAWING IS A CONTROLLED DOCUMENT.

DIMENSIONS: INCHES	TOLERANCES UNLESS OTHERWISE SPECIFIED:	DWN R BROWN 09JAN01	24AUG00	AMP Tyco Electronics Corporation Harrisburg, PA 17105
0 PLC ± -	1 PLC ± -	APVD H WYNKOOP 24AUG00	NAME H WYNKOOP	SOCKET ASSY, DIP, RET LEG, 16 POS, DIPLOMATE™ DL
2 PLC ± -	3 PLC ± -	PRODUCT SPEC 108-1066	APPLICATION SPEC 114-1049	SIZE A1 CAGE CODE 00779 DRAWING NO 641262
4 PLC ± -	ANGLES ± -	WEIGHT -	SCALE 5:1	SHEET 1 OF 1 REV S
MATERIAL SEE TABLE	FINISH SEE TABLE	CUSTOMER DRAWING		